



Product information presented here reflects conditions at time of publication. Consult factory regarding discrepancies or inconsistencies.

MAIL TO: P.O. BOX 16347 • Louisville, KY 40256-0347  
SHIP TO: 3649 Cane Run Road • Louisville, KY 40211-1961  
(502) 778-2731 • 1 (800) 928-PUMP • FAX (502) 774-3624

visit our web site:  
[www.zoeller.com](http://www.zoeller.com)

## ZOELLER ONSITE WASTEWATER PRODUCTS

### "WW" Residential Effluent Filter P/N 170-0078

#### BY-PASS PROTECTION

Sleeve remains in the outlet tee when the main filter is removed for servicing. Solids are prevented from leaving the tank.

#### GASKETED SEAL

Rubber gasket ensures that all effluent passes through the filter, not around it. Provides protection in all commonly found 4" outlet tees.

#### DEEP PLEATED CONSTRUCTION

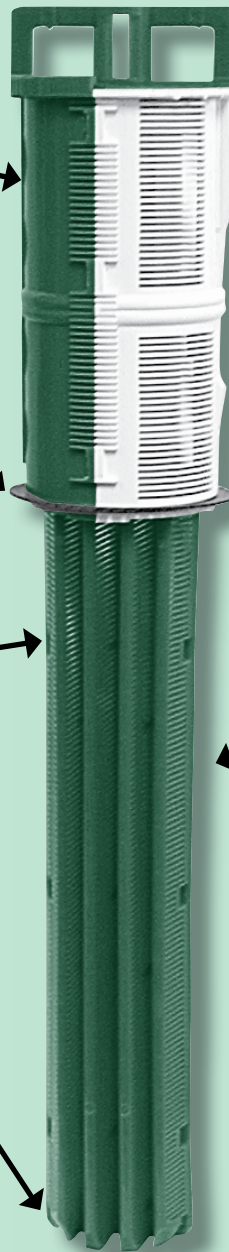
Design adds more effective filter area than any other 4" filter on the market. Pleats retain solids to aid in servicing.

#### CLEAR ZONE ACCESS

Once installed in the tee, filter pulls effluent from only the "clear zone" of the tank.



Covered by US Patent Nos.  
6,136,190; 6,331,247; 6,495,040.



#### TWIST LOCK MECHANISM

Inner cartridge is held firmly in place, but can be easily removed for servicing.

#### LOCKING TAB

Zoeller invented the locking tab to prevent the filter from floating out and keep the by-pass sleeve in place when servicing.

#### SUPERIOR FILTRATION

All 132 linear feet of 1/16" filtration is located below the water line, making the filter 100% effective.



Available with sanitary tee and filter complete.

170-0144

P/N 013244

# Zoeller Residential Septic Tank Effluent Filter Specifications

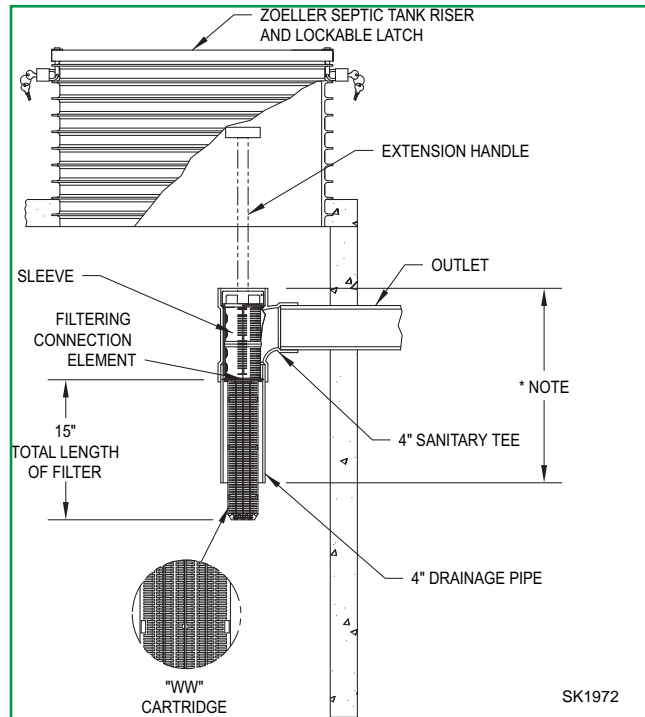
**Application:** Single family homes.

**Filter Area:** 132 Linear Feet of 1/16" filtration.

**Flow Rate:** 1,000 GPD. Two or more filters may be connected with a manifold for higher flow applications.

**Material:** All materials are noncorrosive in the septic tank environment. Sleeve is PVC, primary filter is polypropylene, and filter connection element is neoprene.

**Easy to install or retrofit:** The Zoeller Septic System Filter fits inside any 4" sanitary tee. Slide the filter cartridge into the filter sleeve. Slide the assembled cartridge and sleeve into the sanitary tee at the tank's outlet. Ensure the sleeve tab is pointing toward the outlet of the septic tank before filter placement into the tee. The drain field is now protected from solids greater than 1/16".



**Adding an extension handle:** A 1/2" PVC pipe can be attached to the top of the filter with a stainless steel screw. Cut off to appropriate length below the lid.

**NOTE:** State and local plumbing codes may require a specific liquid penetration. For example, 25% - 45% into the liquid depth or 9" off the tank bottom.

**Easy to maintain:** The filter can be maintained by rotating the cartridge counterclockwise out of the locking tabs and removing for cleaning. The sleeve should remain in the sanitary tee while cleaning the cartridge. To clean, hold cartridge over septic tank opening and rinse with a hose until clean, washing filtered solids back into the septic tank. In addition, spray off any solids that have accumulated on the inside of the sleeve. The Zoeller filter should be cleaned each time the septic tank is pumped or when the need is indicated by a high water level in the tank or slow flows from the house. The secondary filter sleeve should be cleaned whenever the tank is pumped. For installations that exceed the design flow rate of the filter or in applications where the septic tank is undersized, more frequent cleanings may be required. It is best when the filter is inspected and serviced as part of a regular septic tank maintenance routine.

**Troubleshooting, repair, and replacement:** Follow the install and maintenance instructions above. For replacement components, call 1-800-928-PUMP.

**Lifetime Warranty:** Every Zoeller filter is guaranteed to be free from defects in materials and workmanship for the lifetime of the homeowner/purchaser. Free repair or replacement, excluding labor, will be made on return of the filter prepaid to the factory. This warranty is limited to product proven to be free from abuse or improper installation.

ALL ZOELLER ONSITE PRODUCTS MUST BE INSTALLED IN ACCORDANCE WITH PLUMBING AND HEALTH DEPARTMENT CODES.

**Distributed By:**



**ZOELLER**  
PUMP CO.

1-800-928-PUMP

www.zoeller.com